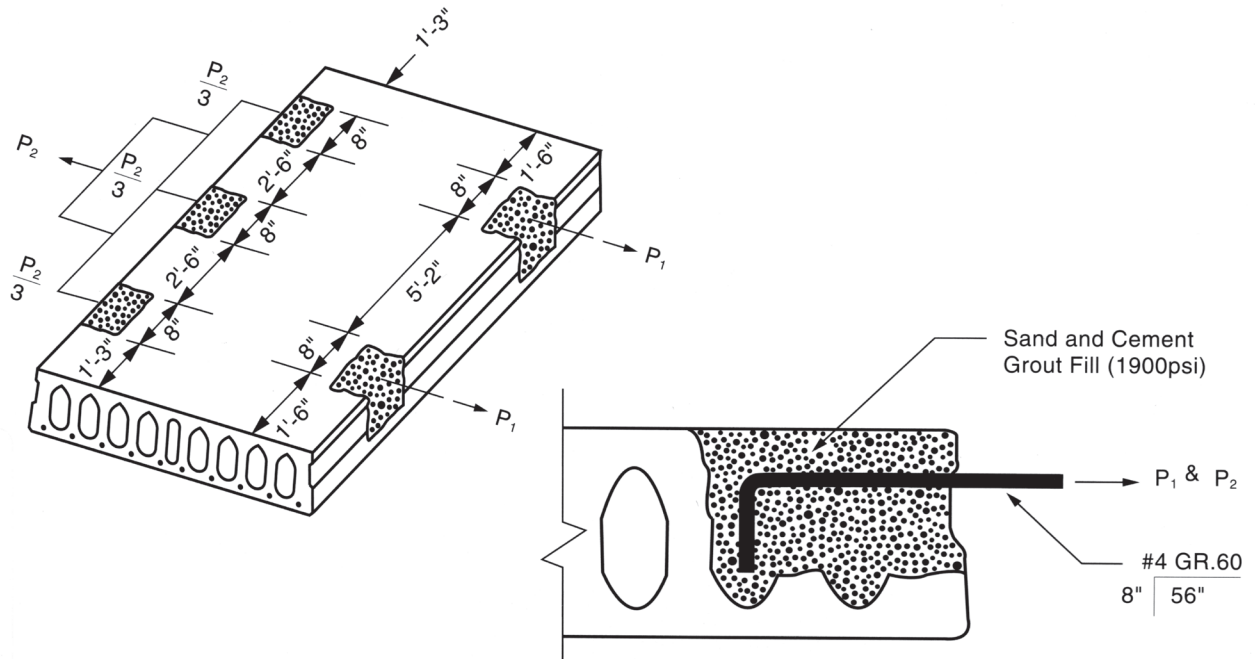


SIDE ANCHORS

As part of a program for evaluating various inserts used in Spancrete® hollowcore plank, anchors were tested in the sides of plank as shown below and on the reverse side. The type of anchor, installation, and test conditions are presented in each table. Interpretation for job applications, load interactions, appropriate strength reduction factors, and safety factors are left to the user.



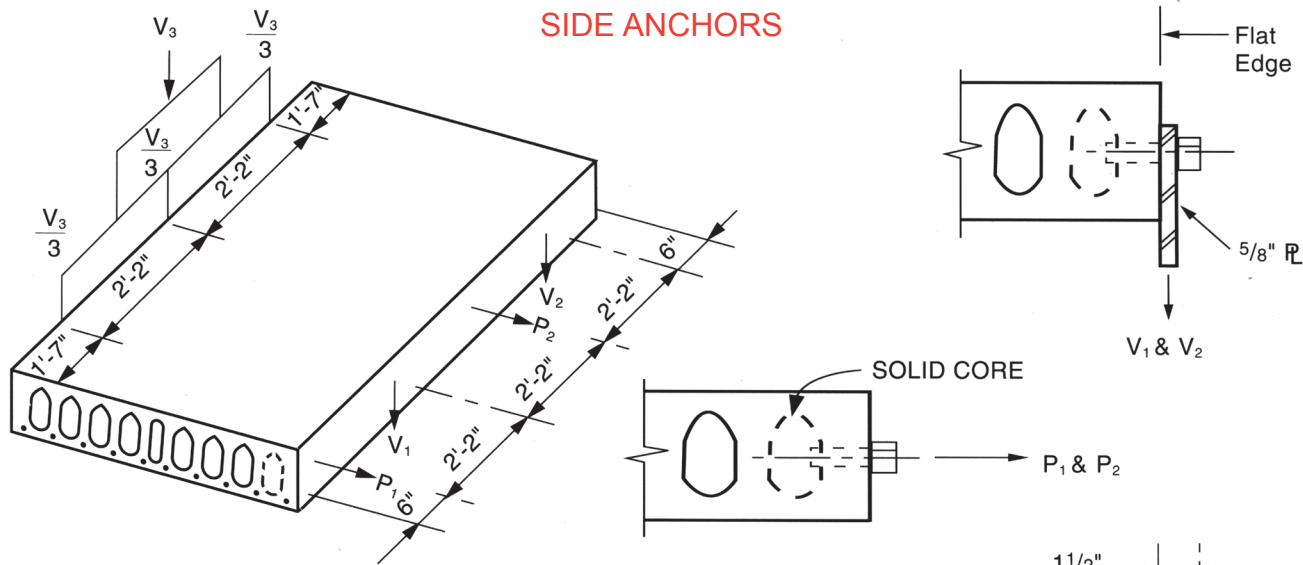
TEST RESULTS (KIPS)

Load	Test #1	Mode*	Test #2	Mode*	Test #3	Mode*	Test #4	Mode*	Avg.	Low
P ₁	9.23	Conc.	11.57	Conc.	12.23	Conc.	10.43	Conc.	10.87	9.2
P ₂	38.5	Conc.	27.5	Conc.	-	-	-	-	33.0	27.5

*Failure Mode

Values given are test results. Appropriate strength reduction factors and safety factors must be applied.

Additional test data is presented on the other side.



3/4" dia. Sleeve Anchor
(contact your local producer for specific anchor information)

Test Results (KIPS)

Load	Test #1	Mode*	Test #2	Mode*	Avg.	Low
P ₁	11.5	Conc.	11.68	Conc.	11.59	11.5
P ₂	13.7	Conc.	11.25	Conc.	12.48	11.25
V ₁	10.88	Conc.	11.32	Conc.	11.10	10.88
V ₂	8.21	Conc.	8.29	Conc.	8.25	8.21
V ₃	20.0	Conc.	17.10	Conc.	18.55	17.10

*Failure Mode

Values given are test results. Appropriate strength reduction factors and safety factors must be applied.

MIDWEST
Hanson Structural
Precast Midwest, Inc.
Maple Grove, Minnesota

Spancrete, Inc.
Green Bay, Wisconsin

Spancrete Industries, Inc.
Waukesha, Wisconsin

Spancrete of Illinois, Inc.
Arlington Heights, Illinois

Wells Concrete
Wells, Minnesota

WEST
Hanson Structural
Precast Pacific, Inc.
Irwindale, California

KIE-CON
Division of Kiewit Pacific Co.
Anitoch, California

Owell Precast
Sandy, Utah

SOUTHWEST
Manco Structures, Ltd.
Schertz, Texas

SOUTH
Cement Industries, Inc.
Fort Myers, Florida

Florida Precast Industries, Inc.
Sebring, Florida

EAST
Mid-Atlantic Precast, LLC.
King George, Virginia

EGYPT
Samcrete Egypt
Ahram, Giza

MEXICO
ITISA
Mexico City, Mexico

Spancrete Noreste
Monterrey, Mexico

CROATIA
Mucic & Co
Dugopolje, Croatia

CARIBBEAN
Preconco Limited
Barbados, West Indies

TURKEY
Yapi-Merkezi
Camlica-Istanbul, Turkey

UAE
Hi-Tech Concrete
Products LLC
Abu Dhabi, UAE

MACHINE MANUFACTURER
Spancrete Machinery Corporation
N16 W23415 Stoneridge Drive
Waukesha, WI 53188
Telephone: 414-290-9000
Fax: 414-290-9130
www.spancrete-machinery.com

SPANCRETE IS ALSO MANUFACTURED IN:

- Armenia
- Ireland
- China
- Japan
- Denmark
- Russia
- Guatemala
- South Korea
- Hungary
- Switzerland

Spancrete® hollowcore is a registered trademark